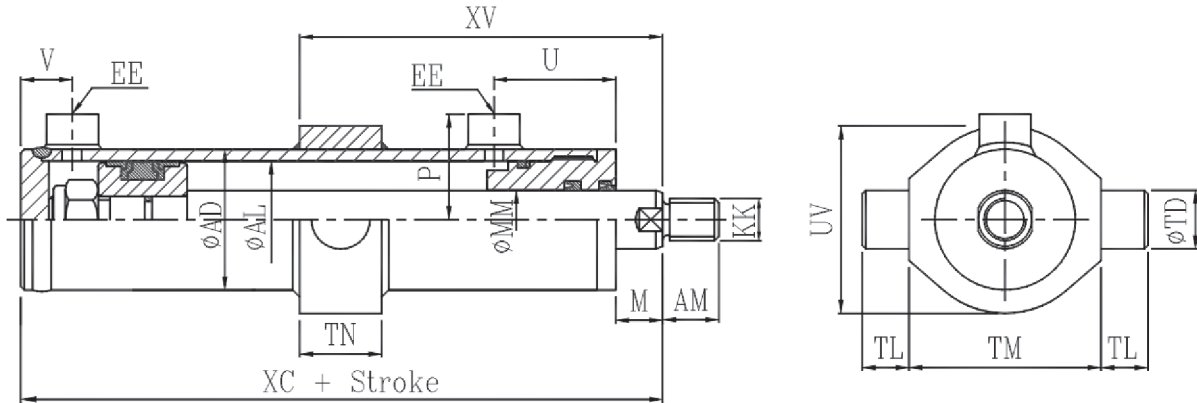


210 Bar Standard Cylinder Mounting : MT4 Trunnion Mount



| AL | MM | AD | TD | TL | TM | TN | UV | XV | M | U | V | EE | P | XC | KK | AM |
|--------|-----|-----|-----|-----|-----|-----|-----|-------|----|-----|-----|------------|-----|-----|----------|-----|
| Bore | Rod | | | | | | | (Min) | | | | | | | | |
| 40 | 25 | 50 | 20 | 16 | 70 | 28 | 65 | 115 | 20 | 52 | 22 | 3/8"BSPP | 40 | 143 | M18x1.5 | 24 |
| 50 | 25 | 60 | 25 | 20 | 82 | 35 | 80 | 120 | 20 | 52 | 22 | 3/8"BSPP | 45 | 146 | M18x1.5 | 24 |
| | 30 | 60 | 25 | 20 | 82 | 35 | 80 | 120 | 20 | 52 | 22 | 3/8"BSPP | 45 | 146 | M24x2.0 | 32 |
| 63 | 30 | 75 | 30 | 25 | 105 | 45 | 100 | 127 | 20 | 57 | 24 | 3/8"BSPP | 53 | 155 | M24x2.0 | 32 |
| | 35 | 75 | 30 | 25 | 105 | 45 | 100 | 127 | 20 | 57 | 24 | 3/8"BSPP | 53 | 155 | M24x2.0 | 32 |
| | 40 | 75 | 30 | 25 | 105 | 45 | 100 | 127 | 20 | 57 | 24 | 3/8"BSPP | 53 | 155 | M27x2.0 | 36 |
| 80 | 40 | 95 | 40 | 35 | 135 | 50 | 125 | 138 | 20 | 62 | 30 | 1/2"BSPP | 68 | 176 | M27x2.0 | 36 |
| | 45 | 95 | 40 | 35 | 135 | 50 | 125 | 138 | 25 | 62 | 30 | 1/2"BSPP | 68 | 181 | M33x2.0 | 45 |
| | 50 | 95 | 40 | 35 | 135 | 50 | 125 | 138 | 25 | 62 | 30 | 1/2"BSPP | 68 | 181 | M33x2.0 | 45 |
| 90 | 45 | 105 | 45 | 40 | 140 | 57 | 135 | 150 | 25 | 65 | 33 | 1/2"BSPP | 73 | 187 | M33x2.0 | 45 |
| | 50 | 105 | 45 | 40 | 140 | 57 | 135 | 150 | 25 | 65 | 33 | 1/2"BSPP | 73 | 187 | M33x2.0 | 45 |
| | 60 | 105 | 45 | 40 | 140 | 57 | 135 | 150 | 28 | 65 | 33 | 1/2"BSPP | 73 | 190 | M42x2.0 | 56 |
| 100 | 50 | 115 | 45 | 40 | 160 | 57 | 145 | 160 | 25 | 73 | 40 | 1/2"BSPP | 78 | 207 | M33x2.0 | 45 |
| | 70 | 115 | 45 | 40 | 160 | 57 | 145 | 160 | 28 | 73 | 40 | 1/2"BSPP | 78 | 210 | M48x2.0 | 63 |
| 120 | 60 | 140 | 50 | 50 | 170 | 63 | 175 | 165 | 28 | 75 | 48 | 1/2"BSPP | 90 | 223 | M42x2.0 | 56 |
| | 70 | 140 | 50 | 50 | 170 | 63 | 175 | 165 | 28 | 75 | 48 | 1/2"BSPP | 90 | 223 | M48x2.0 | 63 |
| | 80 | 140 | 50 | 50 | 170 | 63 | 175 | 165 | 28 | 75 | 48 | 1/2"BSPP | 90 | 223 | M52x2.0 | 70 |
| 125 | 60 | 145 | 50 | 50 | 175 | 63 | 180 | 170 | 28 | 76 | 38 | 3/4"BSPP | 98 | 206 | M42x2.0 | 56 |
| | 70 | 145 | 50 | 50 | 175 | 63 | 180 | 170 | 28 | 76 | 38 | 3/4"BSPP | 98 | 206 | M48x2.0 | 63 |
| | 80 | 145 | 50 | 50 | 175 | 63 | 180 | 170 | 28 | 76 | 38 | 3/4"BSPP | 98 | 206 | M52x2.0 | 70 |
| 140 | 70 | 160 | 55 | 55 | 190 | 63 | 200 | 175 | 28 | 82 | 38 | 3/4"BSPP | 105 | 223 | M48x2.0 | 63 |
| | 90 | 160 | 55 | 55 | 190 | 63 | 200 | 175 | 30 | 82 | 38 | 3/4"BSPP | 105 | 225 | M64x3.0 | 85 |
| 150 | 80 | 170 | 60 | 55 | 230 | 76 | 215 | 185 | 28 | 86 | 50 | 3/4"BSPP | 110 | 245 | M52x2.0 | 70 |
| | 90 | 170 | 60 | 55 | 230 | 76 | 215 | 185 | 30 | 86 | 50 | 3/4"BSPP | 110 | 247 | M64x3.0 | 85 |
| 160 | 80 | 180 | 65 | 63 | 245 | 80 | 225 | 195 | 38 | 92 | 50 | 3/4"BSPP | 115 | 251 | M52x2.0 | 70 |
| | 90 | 180 | 65 | 63 | 245 | 80 | 225 | 195 | 30 | 92 | 50 | 3/4"BSPP | 115 | 253 | M64x3.0 | 85 |
| | 100 | 180 | 65 | 63 | 245 | 80 | 225 | 195 | 30 | 92 | 50 | 3/4"BSPP | 115 | 253 | M68x3.0 | 88 |
| 180 | 90 | 210 | 70 | 70 | 270 | 80 | 255 | 210 | 30 | 102 | 66 | 1"BSPP | 135 | 290 | M64x3.0 | 85 |
| | 100 | 210 | 70 | 70 | 270 | 80 | 255 | 210 | 30 | 102 | 66 | 1"BSPP | 135 | 290 | M68x3.0 | 88 |
| | 125 | 210 | 70 | 70 | 270 | 80 | 255 | 210 | 30 | 102 | 66 | 1"BSPP | 135 | 290 | M88x3.0 | 95 |
| 200 | 100 | 230 | 80 | 80 | 290 | 100 | 275 | 225 | 30 | 106 | 76 | 1"BSPP | 145 | 308 | M68x3.0 | 88 |
| | 125 | 230 | 80 | 80 | 290 | 100 | 275 | 225 | 30 | 106 | 76 | 1"BSPP | 145 | 308 | M88x3.0 | 95 |
| | 140 | 230 | 80 | 80 | 290 | 100 | 275 | 225 | 35 | 106 | 76 | 1"BSPP | 145 | 313 | M100x3.0 | 112 |
| 230 | 125 | 273 | 90 | 90 | 333 | 100 | 320 | 230 | 30 | 120 | 94 | 1-1/4"BSPP | 170 | 348 | M88x3.0 | 95 |
| | 140 | 273 | 90 | 90 | 333 | 100 | 320 | 230 | 35 | 120 | 94 | 1-1/4"BSPP | 170 | 353 | M100x3.0 | 112 |
| 250 ** | 125 | 298 | 100 | 100 | 360 | 127 | 340 | 275 | 30 | 142 | 102 | 1-1/4"BSPP | 182 | 420 | M88x3.0 | 95 |
| | 140 | 298 | 100 | 100 | 360 | 127 | 340 | 275 | 35 | 142 | 102 | 1-1/4"BSPP | 182 | 425 | M100x3.0 | 112 |
| | 180 | 298 | 100 | 100 | 360 | 127 | 340 | 275 | 40 | 142 | 102 | 1-1/4"BSPP | 182 | 430 | M110x3.0 | 125 |

** Head gland design differs from above drawing.