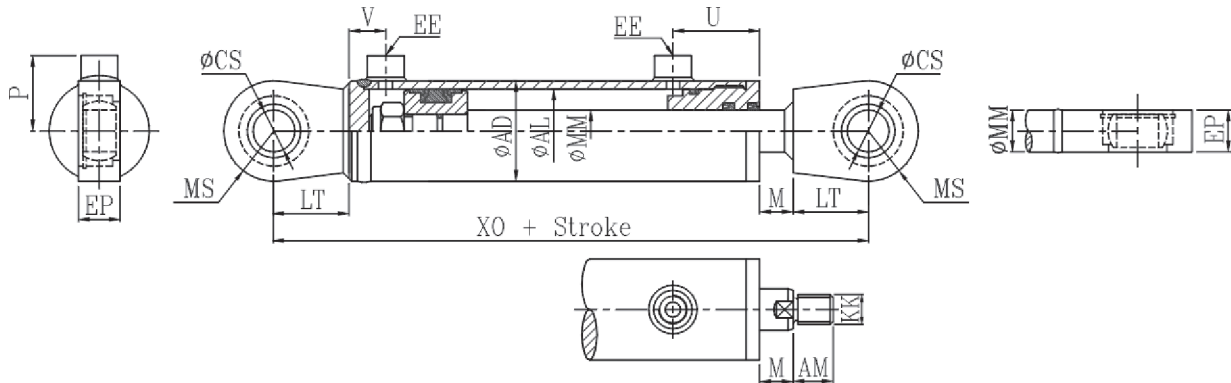


210 Bar Standard Cylinder Mounting : MP5 Spherical Bearing



AL	MM	AD	CS	EP	LT	MS	M	U	V	EE	P	XO	KK	AM
40	25	50	20	20	42	27	20	52	22	3/8" BSPP	40	227	M18x1.5	24
50	25	60	25	25	45	30	20	52	22	3/8" BSPP	45	236	M18x1.5	24
	30	60	25	25	45	30	20	52	22	3/8" BSPP	45	236	M24x2.0	32
63	30	75	30	32	50	35	20	57	24	3/8" BSPP	53	255	M24x2.0	32
	35	75	30	32	50	35	20	57	24	3/8" BSPP	53	255	M27x2.0	32
	40	75	30	32	50	35	20	57	24	3/8" BSPP	53	255	M27x2.0	36
80	40	95	40	32	57	42	20	62	30	1/2" BSPP	68	290	M27x2.0	36
	45	95	40	32	57	42	25	62	30	1/2" BSPP	68	295	M33x2.0	45
	50	95	40	32	57	42	25	62	30	1/2" BSPP	68	295	M33x2.0	45
90	45	105	40	38	65	50	25	65	30	1/2" BSPP	73	314	M33x2.0	45
	50	105	40	38	65	50	25	65	30	1/2" BSPP	73	314	M33x2.0	45
	60	105	40	38	65	50	28	65	30	1/2" BSPP	73	317	M42x2.0	56
100	50	115	45	45	70	55	25	73	35	1/2" BSPP	78	343	M33x2.0	45
	70	115	45	45	70	55	28	73	35	1/2" BSPP	78	346	M48x2.0	63
120	60	140	50	50	70	55	28	75	42	1/2" BSPP	90	357	M42x2.0	56
	70	140	50	50	70	55	28	75	42	1/2" BSPP	90	357	M48x2.0	63
	80	140	50	50	70	55	28	75	42	1/2" BSPP	90	357	M52x2.0	70
125	60	145	50	50	70	55	28	76	33	3/4" BSPP	98	342	M42x2.0	56
	70	145	50	50	70	55	28	76	33	3/4" BSPP	98	342	M48x2.0	63
	80	145	50	50	70	55	28	76	33	3/4" BSPP	98	342	M52x2.0	70
140	70	160	60	63	95	80	28	82	35	3/4" BSPP	105	409	M48x2.0	63
	90	160	60	63	95	80	30	82	35	3/4" BSPP	105	411	M64x3.0	85
150	80	170	60	70	100	85	28	86	45	3/4" BSPP	110	440	M52x2.0	70
	90	170	60	70	100	85	30	86	45	3/4" BSPP	110	442	M64x3.0	85
160	80	180	70	70	105	90	28	92	45	3/4" BSPP	115	455	M52x2.0	70
	90	180	70	70	105	90	30	92	45	3/4" BSPP	115	457	M64x3.0	85
	100	180	70	70	105	90	30	92	45	3/4" BSPP	115	457	M68x3.0	88
180	90	210	80	80	120	105	30	102	54	1" BSPP	135	518	M64x3.0	85
	100	210	80	80	120	105	30	102	54	1" BSPP	135	518	M68x3.0	88
	125	210	80	80	120	105	30	102	54	1" BSPP	135	518	M88x3.0	95
200	100	230	80	100	125	110	30	106	60	1" BSPP	145	542	M68x3.0	88
	125	230	80	100	125	110	30	106	60	1" BSPP	145	542	M88x3.0	95
	140	230	80	100	125	110	35	106	60	1" BSPP	145	547	M100x3.0	112
230	125	273	90	100	135	115	30	120	75	1-1/4" BSPP	170	600	M88x3.0	95
	140	273	90	100	135	115	35	120	75	1-1/4" BSPP	170	605	M88x3.0	112
250 **	125	298	100	100	145	125	30	142	82	1-1/4" BSPP	182	690	M88x3.0	95
	140	298	100	100	145	125	35	142	82	1-1/4" BSPP	182	695	M100x3.0	112
	180	298	100	100	145	125	40	142	82	1-1/4" BSPP	182	700	M110x3.0	125

** Head gland design differs from above drawing.