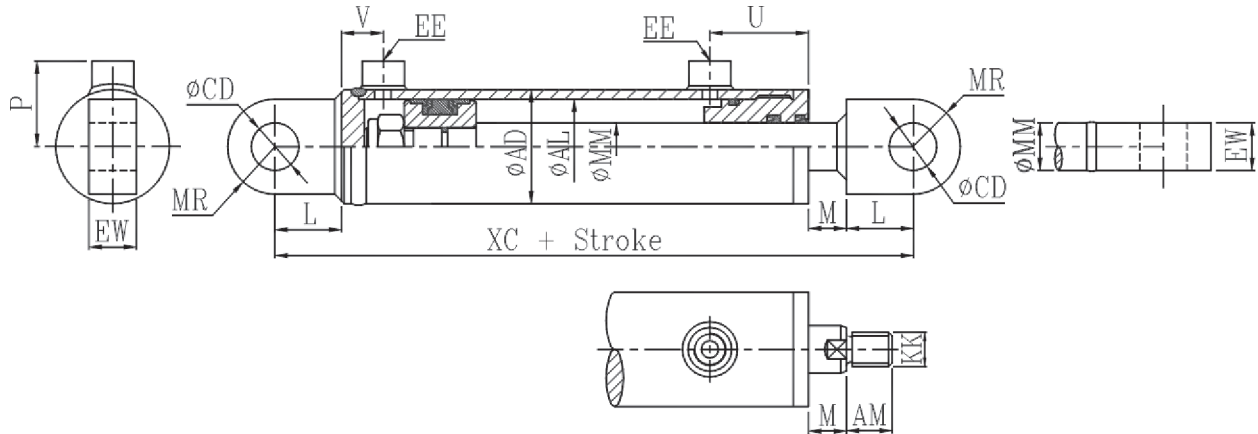


210 Bar Standard Cylinder Mounting : MP3 Male Clevis



Bore AL	Rod MM	AD	CD	EW	L	MR	M	U	V	EE	P	XC	KK	AM
40	25	50	20	20	35	22.5	20	52	22	3/8"BSPP	40	213	M18x1.5	24
50	25	60	25	25	35	25	20	52	22	3/8"BSPP	45	216	M18x1.5	24
	30	60	25	25	35	25	20	52	22	3/8"BSPP	45	216	M24x2.0	32
63	30	75	30	30	40	30	20	57	24	3/8"BSPP	53	235	M24x2.0	32
	35	75	30	30	40	30	20	57	24	3/8"BSPP	53	235	M24x2.0	32
	40	75	30	30	40	30	20	57	24	3/8"BSPP	53	235	M27x2.0	36
80	40	95	35	35	50	35	20	62	30	1/2"BSPP	68	276	M27x2.0	36
	45	95	35	35	50	35	25	62	30	1/2"BSPP	68	281	M33x2.0	45
	50	95	35	35	50	35	25	62	30	1/2"BSPP	68	281	M33x2.0	45
90	45	105	40	38	55	40	25	65	30	1/2"BSPP	73	294	M33x2.0	45
	50	105	40	38	55	40	25	65	30	1/2"BSPP	73	294	M33x2.0	45
	60	105	40	38	55	40	28	65	30	1/2"BSPP	73	297	M42x2.0	56
100	50	115	40	45	60	45	25	73	35	1/2"BSPP	78	323	M33x2.0	45
	70	115	40	45	60	45	28	73	35	1/2"BSPP	78	326	M48x2.0	63
120	60	140	50	50	65	50	28	75	42	1/2"BSPP	90	347	M42x2.0	56
	70	140	50	50	65	50	28	75	42	1/2"BSPP	90	347	M48x2.0	63
	80	140	50	50	65	50	28	75	42	1/2"BSPP	90	347	M52x2.0	70
125	60	145	50	50	65	50	28	76	33	3/4"BSPP	98	332	M42x2.0	56
	70	145	50	50	65	50	28	76	33	3/4"BSPP	98	332	M48x2.0	63
	80	145	50	50	65	50	28	76	33	3/4"BSPP	98	332	M52x2.0	70
140	70	160	60	63	75	60	28	82	35	3/4"BSPP	105	369	M48x2.0	63
	90	160	60	63	75	60	30	82	35	3/4"BSPP	105	371	M64x3.0	85
150	80	170	60	65	85	70	28	86	45	3/4"BSPP	110	410	M52x2.0	70
	90	170	60	65	85	70	30	86	45	3/4"BSPP	110	412	M64x3.0	85
160	80	180	60	70	90	75	28	92	45	3/4"BSPP	115	425	M52x2.0	70
	90	180	60	70	90	75	30	92	45	3/4"BSPP	115	427	M64x3.0	85
	100	180	60	70	90	75	30	92	45	3/4"BSPP	115	427	M68x3.0	88
180	90	210	70	75	98	82	30	102	54	1"BSPP	135	474	M64x3.0	85
	100	210	70	75	98	82	30	102	54	1"BSPP	135	474	M68x3.0	88
	125	210	70	75	98	82	30	102	54	1"BSPP	135	474	M88x3.0	95
200	100	230	80	90	105	87.5	30	106	60	1"BSPP	145	502	M68x3.0	88
	125	230	80	90	105	87.5	30	106	60	1"BSPP	145	502	M88x3.0	95
	140	230	80	90	105	87.5	35	106	60	1"BSPP	145	507	M100x3.0	112
230	125	273	90	90	115	95	30	120	75	1-1/4"BSPP	170	560	M88x3.0	95
	140	273	90	90	115	95	35	120	75	1-1/4"BSPP	170	565	M100x3.0	112
250 **	125	298	100	100	140	120	30	142	82	1-1/4"BSPP	182	680	M88x3.0	95
	140	298	100	100	140	120	35	142	82	1-1/4"BSPP	182	685	M100x3.0	112
	180	298	100	100	140	120	40	142	82	1-1/4"BSPP	182	690	M110x3.0	125

** Head gland design differs from above drawing.