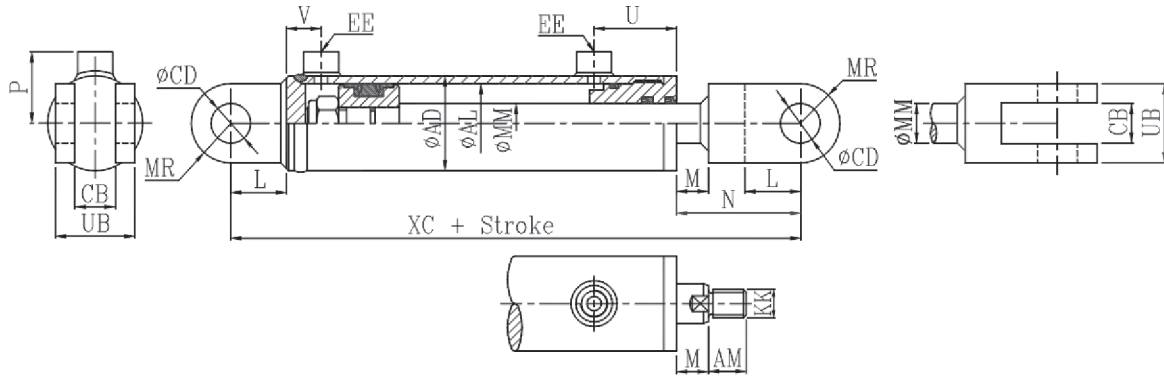


210 Bar Standard Cylinder Mounting : MP1 Female Clevis



Bore AL	Rod MM	AD	CD	CB	UB	L	MR	M	U	V	N	EE	P	XC	KK	AM
40	25	50	20	23	43	35	22.5	20	52	22	72	3/8"BSPP	40	230	M18x1.5	24
50	25	60	25	26	50	35	25	20	52	22	78	3/8"BSPP	45	239	M18x1.5	24
	30	60	25	26	50	35	25	20	52	22	78	3/8"BSPP	45	239	M24x2.0	32
63	30	75	30	26	52	42	31.5	20	57	24	88	3/8"BSPP	53	265	M24x2.0	32
	35	75	30	26	52	42	31.5	20	57	24	88	3/8"BSPP	53	265	M24x2.0	32
	40	75	30	26	52	42	31.5	20	57	24	88	3/8"BSPP	53	265	M27x2.0	36
80	40	95	35	32	62	52	38	20	62	30	100	1/2"BSPP	68	308	M27x2.0	36
	45	95	35	32	62	52	38	25	62	30	105	1/2"BSPP	68	313	M33x2.0	45
	50	95	35	32	62	52	38	25	62	30	105	1/2"BSPP	68	313	M33x2.0	45
90	45	105	40	40	78	55	41	25	65	30	110	1/2"BSPP	73	324	M33x2.0	45
	50	105	40	40	78	55	41	25	65	30	110	1/2"BSPP	73	324	M33x2.0	45
	60	105	40	40	78	55	41	28	65	30	114	1/2"BSPP	73	328	M42x2.0	56
100	50	115	40	40	80	60	45	25	73	35	118	1/2"BSPP	78	356	M33x2.0	45
	70	115	40	40	80	60	45	28	73	35	120	1/2"BSPP	78	358	M48x2.0	63
120	60	140	50	45	90	65	50	28	75	42	125	1/2"BSPP	90	379	M42x2.0	56
	70	140	50	45	90	65	50	28	75	42	125	1/2"BSPP	90	379	M48x2.0	63
	80	140	50	45	90	65	50	28	75	42	125	1/2"BSPP	90	379	M52x2.0	70
125	60	145	50	45	90	65	50	28	76	33	125	3/4"BSPP	98	364	M42x2.0	56
	70	145	50	45	90	65	50	28	76	33	125	3/4"BSPP	98	364	M48x2.0	63
	80	145	50	45	90	65	50	28	76	33	125	3/4"BSPP	98	364	M52x2.0	70
140	70	160	60	55	105	78	63.5	28	82	35	146	3/4"BSPP	105	415	M48x2.0	63
	90	160	60	55	105	78	63.5	30	82	35	148	3/4"BSPP	105	417	M64x3.0	85
150	80	170	60	60	110	85	70	28	86	45	155	3/4"BSPP	110	452	M52x2.0	70
	90	170	60	60	110	85	70	30	86	45	155	3/4"BSPP	110	452	M64x3.0	85
160	80	180	60	65	120	90	76	28	92	45	163	3/4"BSPP	115	470	M52x2.0	70
	90	180	60	65	120	90	76	30	92	45	165	3/4"BSPP	115	472	M64x3.0	85
	100	180	60	65	120	90	76	30	92	45	165	3/4"BSPP	115	472	M68x3.0	88
180	90	210	70	70	130	95	80	30	102	54	180	1" BSPP	135	523	M64x3.0	85
	100	210	70	70	130	95	80	30	102	54	180	1" BSPP	135	523	M68x3.0	88
	125	210	70	70	130	95	80	30	102	54	180	1" BSPP	135	523	M88x3.0	95
200	100	230	80	85	150	105	89	30	106	60	190	1" BSPP	145	557	M68x3.0	88
	125	230	80	85	150	105	89	30	106	60	190	1" BSPP	145	557	M88x3.0	95
	140	230	80	85	150	105	89	35	106	60	195	1" BSPP	145	562	M100x3.0	112
230	125	273	90	90	165	115	95	30	120	75	205	1-1/4"BSPP	170	620	M88x3.0	95
	140	273	90	90	165	115	95	35	120	75	210	1-1/4"BSPP	170	625	M100x3.0	112
250 **	125	298	100	90	180	140	120	30	142	82	233	1-1/4"BSPP	182	743	M88x3.0	95
	140	298	100	90	180	140	120	35	142	82	239	1-1/4"BSPP	182	749	M100x3.0	112
	180	298	100	90	180	140	120	40	142	82	243	1-1/4"BSPP	182	753	M110x3.0	125

** Head gland design differs from above drawing.